

AVAILABLE IN 2015

# M4.56

● ● ● ● 38.3 KW / 52 HP



## TECHNICAL SPECIFICATIONS

This engine is available in 2015.

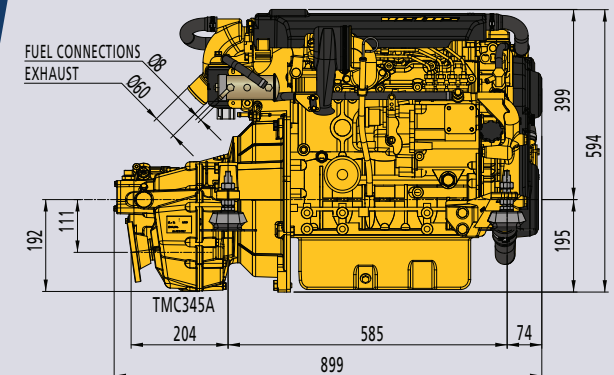
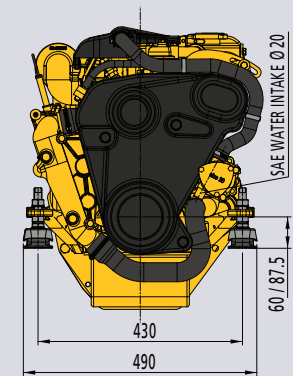
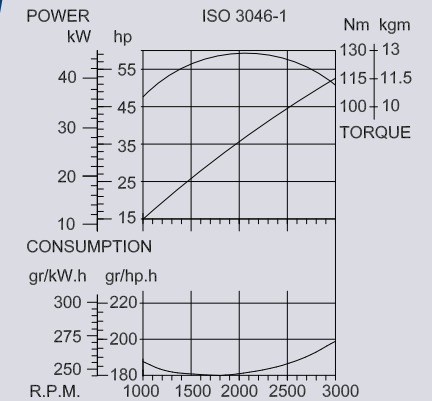
Supplied as standard with instrument panel type MP22BS12A, four flexible engine mountings type KSTEUN80V, and an oil sump pump.

All VETUS engines are certified according ISO 8178-1



* Max. output at flywheel	38.3 kW (52 hp)
* Max. output at propeller shaft	37.1 kW (51 hp)
Maximum rpm	3000
Max. torque	127 Nm/2000 rpm
Bore x stroke	78 mm x 92 mm
Displacement	1758 cm <sup>3</sup>
Number of cylinders	4 in line
Combustion system	indirect injection
Compression ratio	22:1
Firing order	1-3-4-2
Intake	Turbo charged
Electrical system	12 Volt - 110 Amps.
Cooling system (standard)	indirect cooling (keel cooling optional)
Gearbox, standard	TM345(A) (2/2.47:1)
Gearbox options	ZF12M 2.14:1 ZF15MIV 2.13/2.99:1 TMC60P 2/2.5:1

Saildrive	SP60 2,15/2,38:1 SD10 2,23/2,49:1
Dry weight (incl. std. gearbox)	206 kg
Fuel consumption at 1800 rpm	244 g/kW.h (179 g/hp.h)
Max. backwards installation angle	15°
Max. lateral inclination angle;	
Continuously	25°
5 minutes max.	30°
Suction height of fuel lift pump	1.5 m
Calorifier connection kit	optional
Instrument panel (standard)	MP22BS12A
Warning lights and audible alarm	oil pressure, temperature (coolant and exhaust), charging current
Control light for	pre-heating
Electric circuit protection	fuse 10 Amps.
Certifications	EU-RCD, SOLAS



\* In accordance with ISO 8665 and ISO 3046-1