

# M4.45

● ● ● ● 30.9 KW / 42 HP



## TECHNICAL SPECIFICATIONS

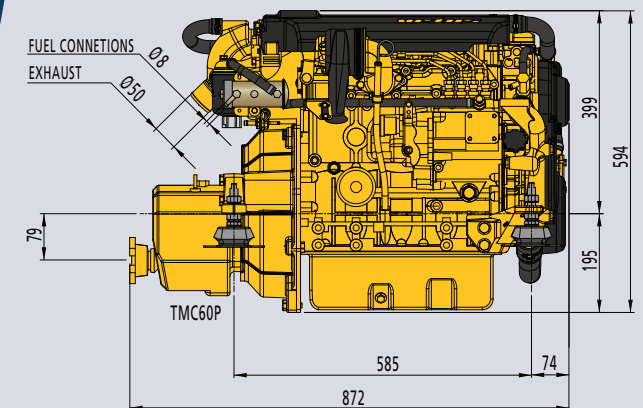
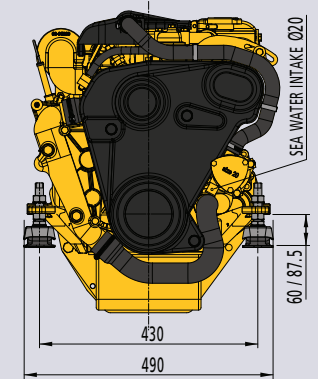
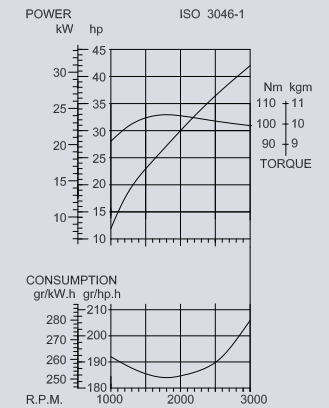
Supplied as standard with instrument panel type MP22BS12A, four flexible engine mountings type KSTEUN75, and a oil sump pump.



All VETUS engines are certified according ISO 8178-1

* Max. output at flywheel	30.9 kW (42 hp)
* Max. output at propeller shaft	30 kW (40.8 hp)
Maximum rpm	3000
Max. torque	106.4 Nm/1750 rpm
Bore x stroke	78 mm x 92 mm
Displacement	1758 cm <sup>3</sup>
Number of cylinders	4 in line
Combustion system	indirect injection
Compression ratio	22:1
Firing order	1-3-4-2
Intake	naturally aspirated
Electrical system	12 Volt - 110 Amps.
Cooling system (standard)	indirect cooling (keel cooling optional)
Gearbox, standard	TMC60P (2/2.5/2.94:1)
Gearbox options	ZF12M 2.14/2.63:1 TMC60A 2/2.5:1

Saildrive	SP60 2,15/2,38:1 SD10 2,23/2,49:1
Dry weight (incl. std. gearbox)	199 kg
Fuel consumption at 1800 rpm	252 g/kW.h (185 g/hp.h)
Max. backwards installation angle	15°
Max. lateral inclination angle;	
Continuously	25°
5 minutes max.	30°
Suction height of fuel lift pump	1.5 m
Calorifier connection kit	optional
Instrument panel (standard)	MP22BS12A
Warning lights and audible alarm	oil pressure, temperature (coolant and exhaust), charging current
Control light for	pre-heating
Electric circuit protection	fuse 10 Amps.
Certifications	EU-RCD, BSO, SOLAS



\* In accordance with ISO 8665 and ISO 3046-1