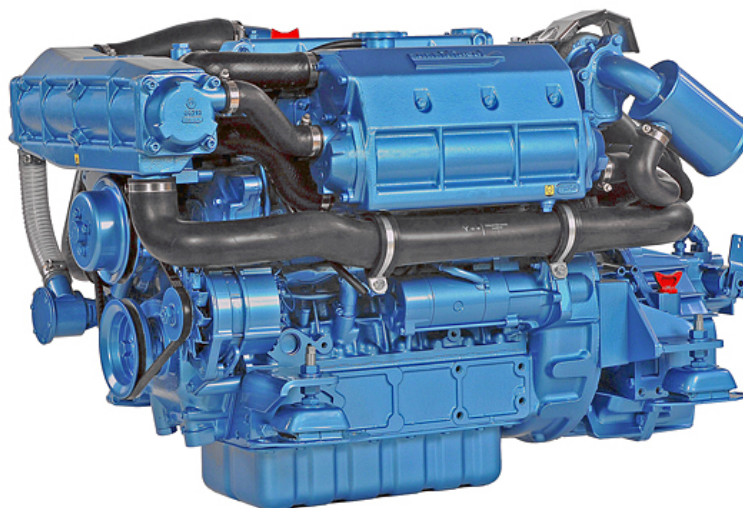


# N4.140

## Specifications



<b>Power at crankshaft</b>	99.4 kW [135 hp]	<b>Engine base</b>	Kubota
<b>Displacement</b>	3.769 l [230 in <sup>3</sup> ]	<b>Fuel system</b>	Mechanical direct injection
<b>Configuration</b>	4 cylinders in line	<b>Air intake</b>	Turbocharged with intercooler
<b>Operation type</b>	4 stroke Diesel	<b>Cooling</b>	Closed cooling with heat exchanger
<b>Bore &amp; Stroke</b>	100 x 120 mm [3.94 x 4.72 in]	<b>Max mounting angle</b>	7° Front up 7° Front down
<b>Compression ratio</b>	19,1:1	<b>Alternator</b>	12 Volt 100 Amp
<b>Rated speed</b>	2600 rpm	<b>Rating</b>	M4
<b>Idling speed</b>	825 rpm	<b>Emission compliance</b>	RCD 94/25/EC BSO 2
<b>Peak torque</b>	453.6 Nm		
<b>Peak torque speed</b>	1600 rpm		
<b>Dry weight</b>	353 kg [778 lbs]		

# N4.140

99.4 kW [135 hp] at 2600 rpm

## TECHNICAL DESCRIPTION

### Engine block

- 4 cylinders in line
- 4 valves per cylinder
- Gear-driven valve train
- Watercooled exhaust manifold

### Fuel system

- Mechanical governor
- Cam driven in-line injection pump
- Fuel feed pump
- Fuel filter with hand primer

### Lubrication system

- Replaceable full-flow oil filter
- Oil dipstick
- Oil drain pump

### Cooling system

- Closed cooling with heat exchanger
- Gear driven self-priming raw water pump
- Coolant circulating pump
- Water cooled exhaust elbow

### Electrical system & Instrumentation

- 12V Electrical system
- 12V 100A alternator
- Electric starter motor
- Electric stop function
- Instrumentation panel, including Start/Stop, tachometer, coolant temperature & oil pressure indicators, alarms
- Extension cable harness with plug-in connection

### Air intake

- Turbocharged with intercooler
- Mounted air cleaner

### Other features

- Flexible engine mounting
- Bracket for control cables

## Optional equipment & accessories

- Keel cooling adaptation
- Complete marine propulsion systems
- Throttle and shift controls
- Additional instrumentation, Flying bridge extension harness
- 24V 55A alternator
- 24V Electrical system
- Engine mounting adaptation
- Two pole electrical system
- Water boiler systems
- Stuffing box connections
- Complete fuel systems
- Complete exhaust systems
- Trolling valve

## RATING

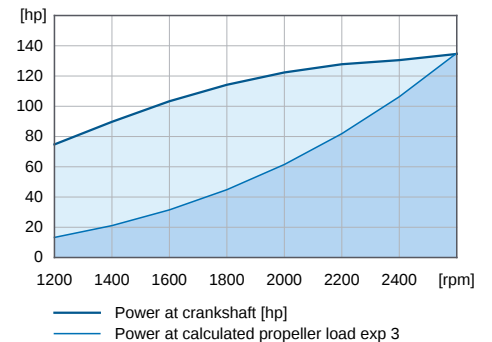
- Up to 3000 annual operating hours
- Load factor up to 40%
- Full power for no more than 1 hour out of each 12 hours of operation. The remaining operation time must be at or below cruising speed

## TRANSMISSIONS

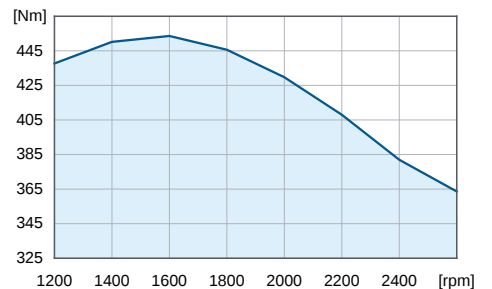
Contact your local dealer for more details and availability for transmission model and type.

## PERFORMANCE CURVES

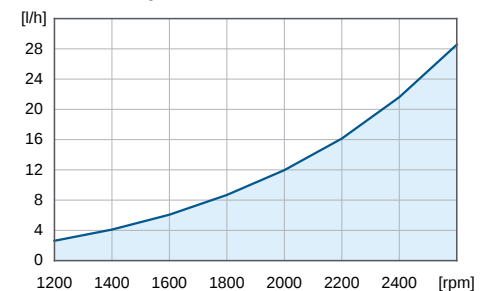
### Power at crankshaft



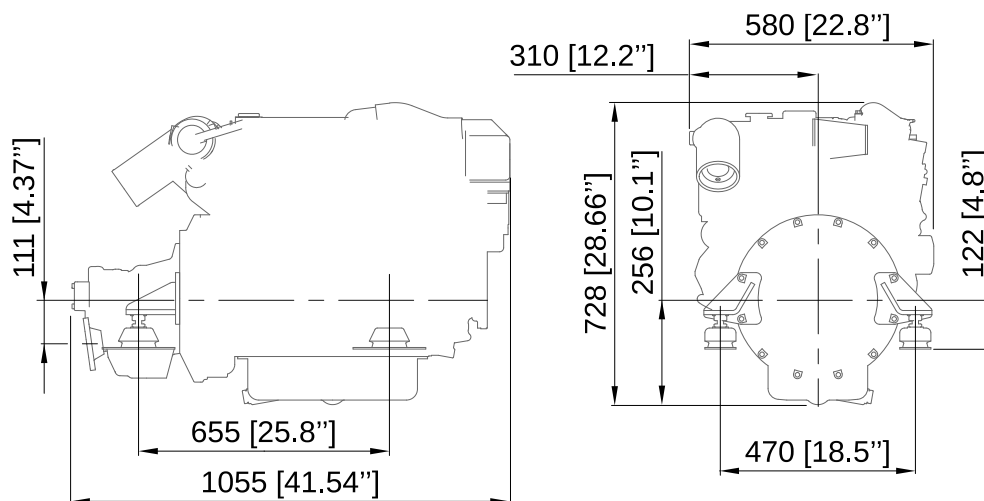
### Torque at crankshaft



### Fuel consumption



## DIMENSIONS WITH TM345A



## Nanni Diesel Australia

26/17-21 Bowden Street  
Alexandria, NSW. 2015  
Tel: +61 (0)2 9319 5222  
engines@nannidiesel.com.au

Technical data according to ISO 8665. Specifications are subject to change without notice. Images and illustrations may show non standard equipments. All combination of equipment & accessory are not available.

20160212-C ENG