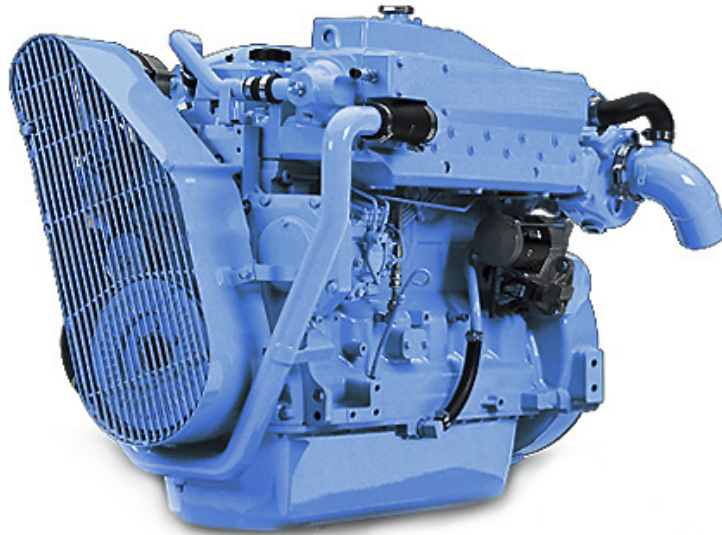


N6.230

Specifications



Power at crankshaft	168 kW [228 hp]
Displacement	6.8 l [415 in ³]
Configuration	6 cylinders in line
Operation type	4 stroke Diesel
Bore & Stroke	106.4 x 127 mm [4.19 x 5 in]
Compression ratio	16.3:1
Rated speed	2600 rpm
Idling speed	650 rpm
Peak torque	780 Nm
Peak torque speed	1800 rpm
Dry weight	735kg [1620,4 lbs]

Engine base	John Deere
Fuel system	Direct injection Mechanical governor
Air intake	Turbocharged
Cooling	Closed cooling with heat exchanger
Max mounting angle	0° Front up 9° Front down
Alternator	24 Volt 50 Amp
Rating	M4

N6.230

168 kW [228 hp] at 2600 rpm

TECHNICAL DESCRIPTION

Engine block

- Replaceable wet-type cylinder liners
- Watercooled exhaust manifold

Fuel system

- Fuel filter
- Direct injection, mechanical governor

Lubrication system

- Replaceable full-flow oil filter
- Oil dipstick
- Oil cooler

Cooling system

- Closed cooling with heat exchanger
- Gear driven self-priming raw water pump
- Coolant circulating pump
- Water cooled exhaust elbow

Electrical system & Instrumentation

- 24 V / 50 A alternator
- 24 V Starter
- Complete instrumentation including key switch and alarms
- Extension cable harness with plug-in connection

Air intake

- Turbocharger

Other features

- Flywheel SAE-3
- Flexible engine mounting
- Damper pulley

Optional systems & accessories

- Keel cooling adaptation
- Dry exhaust elbow
- Complete marine propulsion systems
- Marine transmission adaptation kits
- Throttle and shift controls
- Additional instrumentation, Flying bridge extension harness
- Rigid engine mounting
- Power take off
- Type approval

RATINGS

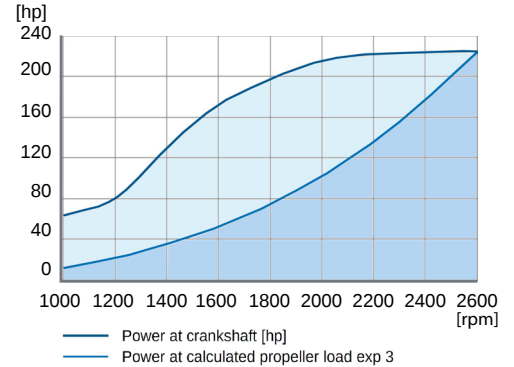
- Up to 3000 hours per year
- Load factor up to 40%
- Full power for no more than 1 hour out of each 12 hours of operation. The remaining time must be at, or below cruising speed.

TRANSMISSIONS

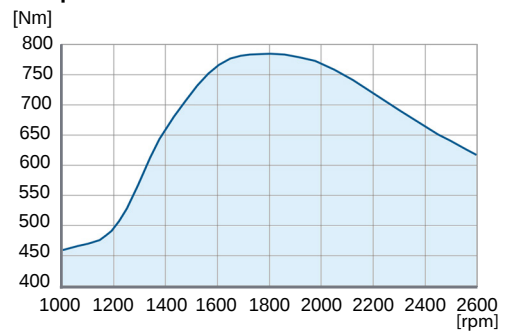
- Contact your Nanni representative for more details and availability about transmissions types and models range.

PERFORMANCE CURVES

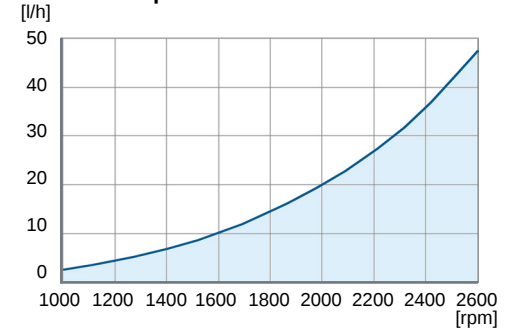
Power at crankshaft



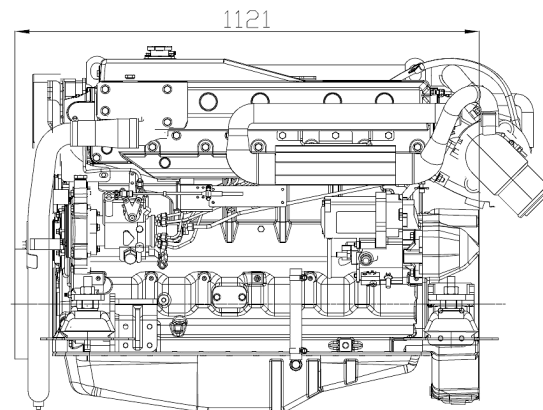
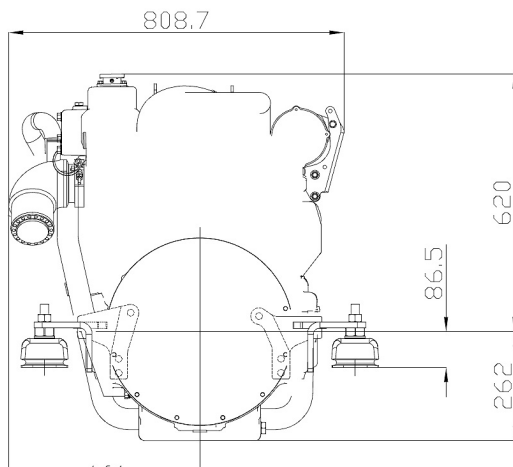
Torque at crankshaft



Fuel consumption



DIMENSIONS BOBTAIL



Nanni Industries S.A.S. France

11, Avenue Mariotte - Zone Industrielle
33260 La Teste - France
Tel: +33 (0)5 56 22 30 60
Fax: +33 (0)5 56 22 30 79

Nanni Trading S.R.L

Via Degli Olmetti, 5/B
00060 Formello (RM) - Italia
Tel: +39 06 30 88 42 51/52/53
Fax: +39 06 30 88 42 54

Technical data according to ISO 8665. Specifications are subject to change without notice. Images and illustrations may show non standard equipments. All combination of equipment & accessory are not available.

06-2017-A ENG