

N13.430 CR

Specifications



| | | | |
|---------------------|-------------------------------|---------------------|--|
| Power at crankshaft | 320 kW [430 hp] | Engine base | John Deere |
| Displacement | 13.6 l [830 in ³] | Fuel system | Electronically controlled unit injectors |
| Configuration | 6 cylinders in line | Air intake | Turbocharged Air-to-coolant aftercooler |
| Operation type | 4 stroke Diesel | Cooling | Closed cooling with heat exchanger |
| Bore & Stroke | 132 x 165 mm [5.2 x 6.5 in] | Max mounting angle | 0° Front down 12° Front up |
| Compression ratio | 16:1 | Alternator | 24 Volt 100 Amp |
| Rated speed | 1900 rpm | Rating | M2 |
| Idling speed | 600 rpm | Emission compliance | MO Annex VI compliant EPA marine Tier 3 NRMM 97/68/EC RCD2 2013/53/EU |
| Peak torque | 2204 Nm | | |
| Peak torque speed | 1300 rpm | | |
| Dry weight | 1380 kg [3042 lbs] | | |

N13.430 CR

320 kW [430 hp] at 1800 rpm

TECHNICAL DESCRIPTION

Engine block

- Replaceable wet-type cylinder liners
- 4 Valves per cylinder
- Directed top-liner cooling
- Watercooled exhaust manifold

Fuel system

- Electronically controlled unit injectors
- Primary & secondary fuel filter

Lubrication system

- Replaceable full-flow oil filter
- Oil dipstick
- Oil cooler

Cooling system

- Closed cooling with heat exchanger
- Gear driven self-priming raw water pump
- Coolant circulating pump
- Water cooled exhaust elbow

Electrical system & Instrumentation

- 24 V / 100 A alternator
- 24 V starter motor
- Complete instrumentation including key switch and alarms
- Extension cable harness with plug-in connection

Air intake

- Water cooled turbocharger
- Air-to-Coolant aftercooler

Other features

- Flywheel SAE 1
- Flexible engine mounting
- Damper pulley

Optional systems & accessories

- Keel cooling adaptation
- Dry exhaust elbow
- Complete marine propulsion systems
- Marine transmission adaptation kits
- Throttle and shift controls
- Additional instrumentation, Flying bridge extension harness
- Rigid engine mounting
- Power take off
- Type approval

RATINGS

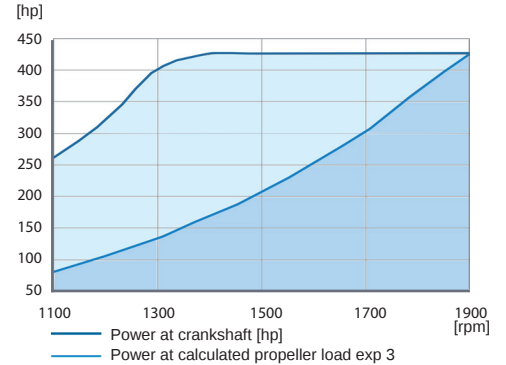
- Up to 5000 hours per year
- Load factor up to 65%
- Full power for no more than 16 hours out of each 24 hours of operation.

TRANSMISSIONS

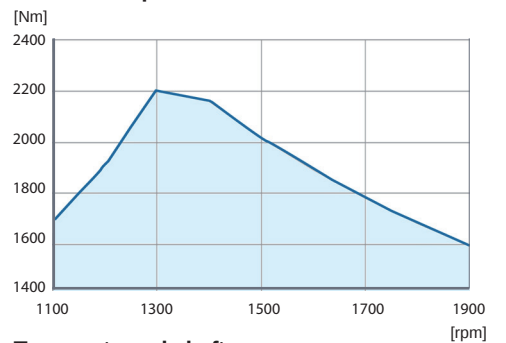
- Contact your Nanni representative for more details and availability about transmissions types and models range

PERFORMANCE CURVES

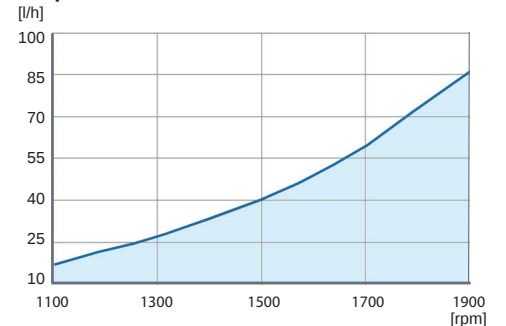
Power at crankshaft



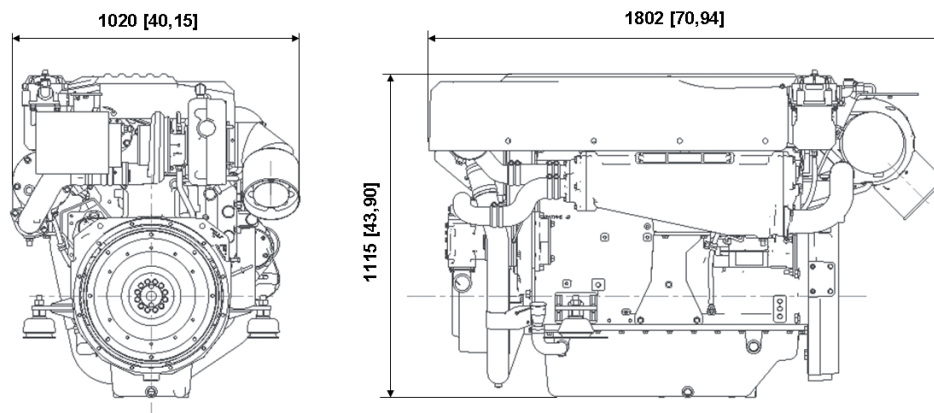
Fuel consumption



Torque at crankshaft



DIMENSIONS BOBTAIL



Nanni Industries S.A.S. France

11, Avenue Mariotte - Zone Industrielle
33260 La Teste - France
Tel: +33 (0)5 56 22 30 60
Fax: +33 (0)5 56 22 30 79

Nanni Trading S.R.L

Via Attilio Regolo, 12D
00192 Roma (RM) - Italia
Tel: +39 06 30 88 42 51/52/53
Fax: +39 06 30 88 42 54

Technical data according to ISO 8665. Specifications are subject to change without notice. Images and illustrations may show non standard equipments. All combination of equipment & accessory are not available.

07-2017-ENG