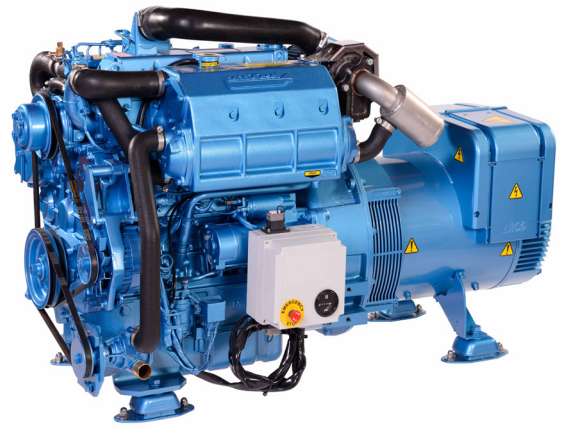


Generating Set Nanni QLS47T

37.8 kW max at 1500 rpm



Engine base

- 4 strokes Diesel engine tested in all marine or industrial applications throughout the world.
- Tunnel type engine block. Off set steel pistons, hanger type crankcase and timing gear.

Injection and combustion system

- The Super Glow System comes as standard equipment to start the engine in cold temperatures.
- The E-CDIS injection system produces an ideal air/fuel mixture by creating three vortices in the combustion chamber. The combustion efficiency is improved, resulting in low fuel consumption.

Cooling system

- Cooling is ensured by heat exchange between coolant and seawater in a heat exchanger.
- Seawater pump with rubber impeller.

Generator

- Delivering a continuous power of 34.4 kW and able to provide up to 37.8 kW.
- IP21 protection (additional level available on demand).

Engine main features

- Kubota base Diesel engine
- 4 cylinders in line
- Closed cooling with heat exchanger

Generator main features

- Class H insulation
- 50 Hz
- Voltage accuracy of $\pm 1.5\%$
- Radio interference suppression
- Electronic regulator

Standard equipment

- Extension delivered by meter
- Closed cooling with heat exchanger
- Wet exhaust
- 12V Single-pole electrical system
- Safety shutdowns on low oil pressure and high coolant temperature
- Eco GE panel
- Rubber mounts
- Oil drain pump mounted on the engine

Optional equipment

- Seawater hoses
- Seawater filter
- Siphon breaker
- Fuel feed system piping
- Exhaust system
- Fuel prefilter
- Keel Cooling
- Vertical dry exhaust
- Horizontal dry exhaust
- Luxe GE panel (instead of Eco GE panel)
- Additional electric fuel feed. pump

Generator set ratings

| Voltage (V) | Frequency (Hz) | Power * (kW) | |
|----------------|-------------------|--------------|-------|
| | | max | cont. |
| 400 | 50 | 37.8 | 34.4 |

Tri-phased output with power factor $\cos \phi = 0.8$

*Continuous (COP) and max (PRP) power rating according to ISO 8528-1

Weight and dimensions

| | |
|-----------------|------|
| Dry weight (kg) | 561 |
| Length (mm) | 1331 |
| Width (mm) | 670 |
| Height (mm) | 835 |

Generator set QLS47T

Engine specifications

| | |
|---------------------------------|------------------|
| Engine base | Kubota |
| Cycle | 4 strokes Diesel |
| Number of cylinders | 4 in line |
| Displacement (cm ³) | 3769 |
| Bore and stroke (mm) | 100 x 1200 |
| Combustion system | Direct |
| Rated rpm | 1500 |
| Intake | Turbo |

Fuel system

| | |
|-------------------------------|--------------------------|
| Fuel injection pressure (bar) | 140 |
| Fuel injection pump | In line, Bosch mini type |
| Fuel feed pump | Mechanical |
| Governor type | All speed mechanical |

Cooling system

| | |
|----------------------|---------------------------|
| Seawater pump | Neoprene rotor |
| Coolant pump type | Coaxial alternator driven |
| Coolant capacity (l) | 12 |
| Exhaust manifold | Fresh water cooled |
| Exhaust elbow | Water injected |

Lubrication system

| | |
|----------------------|-------------------------|
| Oil pan capacity (l) | 13 |
| Oil type | API-CF mini 15W40 |
| Oil filter | Full flow type filter |
| Lubrication system | Forced by trochoid pump |

Engine Electrical System

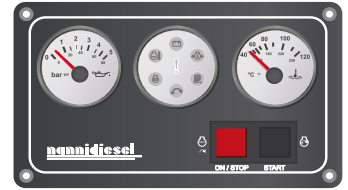
| | |
|--------------------------|---------|
| Engine alternator (V-A) | 12 - 60 |
| Battery recommended (Ah) | 136 |
| Starter motor (V-kW) | 12 - 3 |

Instrument panel

Eco GE



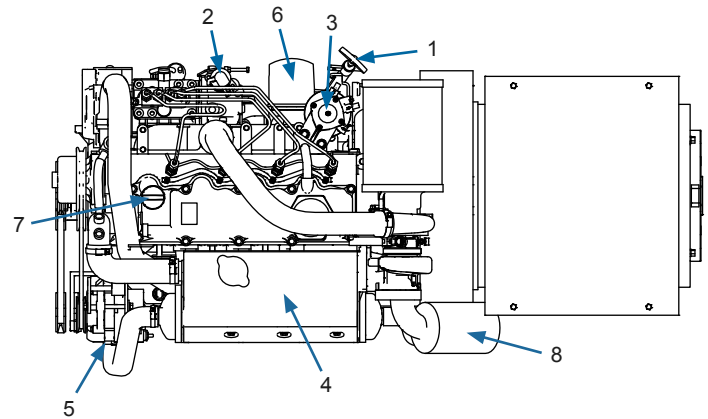
Luxe GE



- Start and stop buttons
- Low oil pressure warning light
- Coolant temperature warning light
- Preheat warning light
- Battery charge warning light
- Oil pressure indicator *
- Coolant temperature indicator *

*Only on Luxe GE panel

Main components



- | | |
|--------------------|--------------------|
| 1. Oil drain pump. | 5. Seawater pump |
| 2. Fuel feed pump | 6. Oil filter |
| 3. Fuel filter | 7. Oil filler port |
| 4. Expansion tank | 8. Exhaust elbow |

Nanni Industries S.A.S. France

11, Avenue Mariotte-Zone Industrielle

33260 La Teste France

Tel : + 33 (0)5 56 22 30 60

Fax : +33 (0)5 56 22 30 79

www.nannidiesel.com

Certified



Your dealer